

8ch Real-time H.264 Digital Disk Recorder **WJ-HL208**

4ch Real-time H.264 Digital Disk Recorder **WJ-HL204**

PAL WJ-HL208 (100 ~ 240 V AC)
WJ-HL204 (100 ~ 240 V AC)

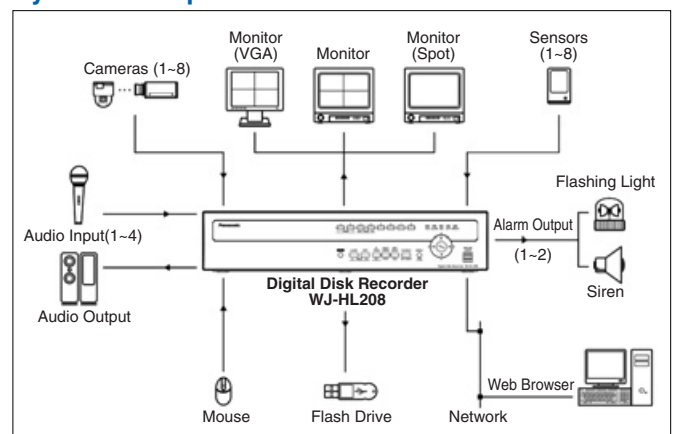


Simple and easy! H.264 Real-time recording solution for small-scale applications

Key Features

- H.264 codec for efficient digital video recording
- Real time recording @ CIF resolution
WJ-HL208: 200 ips
WJ-HL204: 100 ips
- Selectable 4 recording qualities and 3 recording resolution
Recording Quality: Very High, High, Standard, Basic
Resolution: D1, Half D1, CIF
- Various Recording Modes:
Time-lapse, Pre-event, Alarm, Motion and Panic
- Easy Operation with user-friendly GUI (Graphical User Interface) and Mouse
- Various Multi-screen modes:
4 / 8 / PinP (WJ-HL208), 4 / PinP (WJ-HL204)
- Flexible Recording/Playback Control
- 4-Channel Audio Recording and 1-Channel Audio Playback
- Camera control via RS-485
Panasonic and Pelco-D protocol supported.
Camera control can be made by front panel, mouse and web browser.
- Various Search Modes: Date/Time, Calendar, Record Table, Event and Motion
- Continues Recording while Transmitting to Web browser and during Playback
- Self-diagnostics with automatic notification including hard disk drive S.M.A.R.T. protocol
- Equipped with 3 HDD slots

System Example



Standard Accessories

- CD-ROM* 1 pc.
- Operating Instructions 1 pc.
- Serial ATA Cable 2 pcs.
- HDD Fixing Screw 12 pcs.

* The CD-ROM contains the regulations documents and important safety instructions (PDFs).

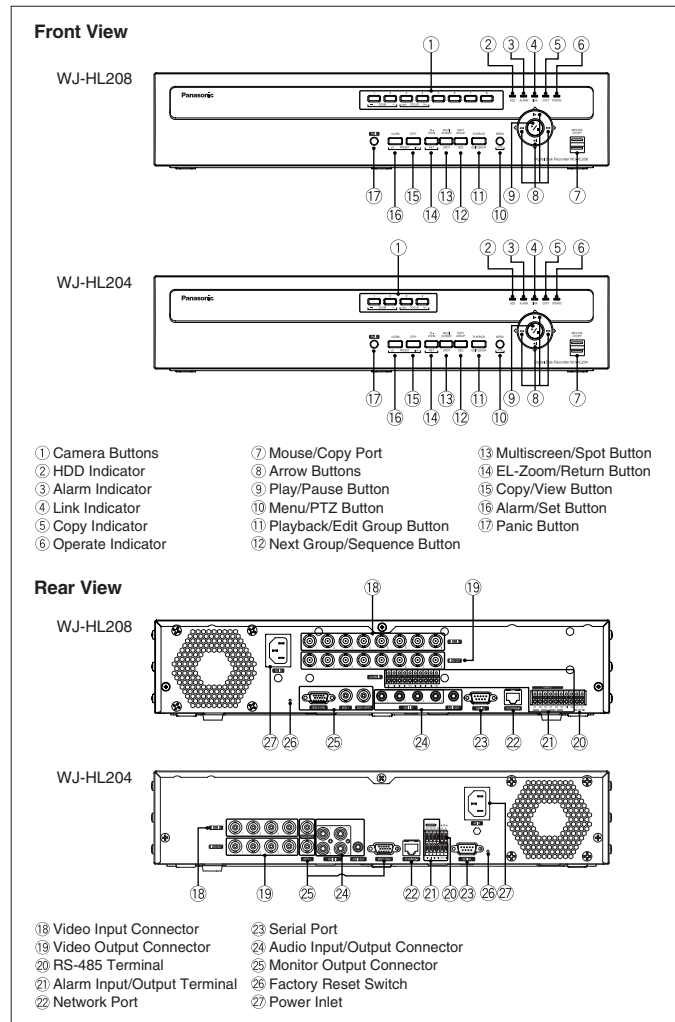
The following are for installation:

- Power Cord 2 pcs.

Specifications

Model No.	WJ-HL208	WJ-HL204	
TV System	Signal Format PAL		
Audio / Video IF	Video Inputs	8x 1.0 V [p-p] / 75 Ω composite video inputs (BNC) with 8x loop through outputs	4x 1.0 V [p-p] / 75 Ω composite video inputs (BNC) with 4x loop through outputs
	Video Outputs	Monitor outputs: 2x 1.0 V [p-p] / 75 Ω composite video signal (BNC) VGA output: 1x RGB (15 pin D-sub)	Monitor outputs: 2x 1.0 V [p-p] / 75 Ω composite video signal (BNC) VGA output: 1x RGB (15 pin D-sub)
	Audio Inputs	4x -10 dBV, 10 KΩ, Unbalanced (RCA)	
	Audio Output	1x -10 dBV, 33 Ω, Unbalanced (RCA)	
Video Format	Recording H.264		
Recording	Recording Mode	Time-lapse, Pre-event, Alarm, VMD and Panic	
	Frame Rate Total	200 ips (CIF) / 100 ips (Half D1) / 50 ips (D1)	100 ips (CIF) / 50 ips (Half D1) / 25 ips (D1)
Main Unit Functions	Camera Control	Pan/Tilt, Zoom, Focus, Iris, Preset position call (up to 16), Auto mode	
	Search Mode	Date/Time, Calendar, Record Table, Event, VMD	
	Multiscreen Mode	4 / 8 split screen display, PinP	4 split screen display, PinP
	Copy to External Media	USB 2.0 Flash Drive	
Network	Network Interface	1x 10Base-T (full duplex) / 100Base-TX (full/half duplex) (RJ-45)	
Alarm / Event	Alarm Source	8x Terminal inputs, VMD	4x Terminal inputs, VMD
External IF	Alarm	Input: 8x Inputs (Make contact, N.O./N.C.) Output: 2x Relay outputs (N.O./N.C., Max. 1 A 30 V peak) Reset input: 1x	Input: 4x Inputs (Make contact, N.O./N.C.) Output: 1x Relay outputs (N.O./N.C., Max. 1 A 30 V peak) Reset input: 1x
	RS-485 Camera Interface	1x RS-485, 2wire, half duplex, for 1 ~ 8 CH	1x RS-485, 2wire, half duplex, for 1 ~ 4 CH
	Serial Port	1x (9-pin D-sub), Reserved	
	Mouse/Copy	2x USB Mouse/Copy port (Front, equivalent to USB 2.0)	
	HDD	Type	1x 3.5 inch SATA 250GB HDD (Pre-installed), Up to 3x HDDs can be installed.
General Specifications	Power Source	100 ~ 240 V AC, 1.2 ~ 0.6 A, 50 Hz/60 Hz	
	Ambient Operating Temperature	+5 °C ~ +40 °C	
	Ambient Operating Humidity	5% ~ 90% (without condensation)	
	Dimensions	430 mm (W) x 88 mm (H) x 403 mm (D) (excluding rubber feet and projection)	
	Weight	6.2 kg (including pre-installed 1x HDD)	

Part Names and Functions



System Components

<p>Compact Day/Night Fixed Dome Camera with ABS WV-CF102 (12 V DC)</p>  <ul style="list-style-type: none"> High resolution: 540 TV lines High sensitivity: 1.2 lux (Color), 0.9 lux (B/W) at F2.0 ABS (Adaptive Black Stretch) 	<p>Smart look Day/Night Fixed Dome Camera with advanced features WV-CF294/CF284 WV-CF294 (24 V AC or 12 V DC) WV-CF284 (24 V AC or 12 V DC)</p>  <p>WV-CF294 WV-CF284</p> <ul style="list-style-type: none"> High resolution: 540 TV lines High sensitivity: 0.9 lux (Color), 0.65 lux (B/W) ABF (Auto Back Focus) (WV-CF294 only) ABS (Adaptive Black Stretch) 	<p>Day/Night High-Performance DSP and High Cost Performance Color Camera WV-CP280 Series WV-CP280 (220 ~ 240 V AC) WV-CP284 (24 V AC or 12 V DC)</p>  <p>Lens: optional</p> <ul style="list-style-type: none"> High resolution: 540 TV lines High sensitivity: 0.6 lux (Color), 0.4 lux (B/W) at F1.2 ABS (Adaptive Black Stretch) 	<p>48.1 cm (19") SXGA LCD Monitor WV-LC1900 (220 ~ 240 V AC)</p>  <p>43.2 cm (17") SXGA LCD Monitor WV-LC1700 (220 ~ 240 V AC)</p> 
--	---	---	---

Warning

- This is a class A product. In a domestic environment this product may cause radio interference in which case the user may be required to take adequate measures.

Important

- Safety Precaution: carefully read the operating instructions and installation manual before using this product.
- Panasonic can not be responsible for network performance and/or other manufacturer products that reside on the network.

- All TV pictures are simulated.
- Weights and dimensions are approximate.
- Specifications are subject to change without notice.
- These products may be subject to export control regulations.
- All product pictures are PAL models.

DISTRIBUTED BY:

Panasonic[®]

<http://panasonic.net/security/>

Printed in Japan (2A-051BA)